

CATALOGUE №3


Microwave barrier for level SIUR-03V2 for bulk materials


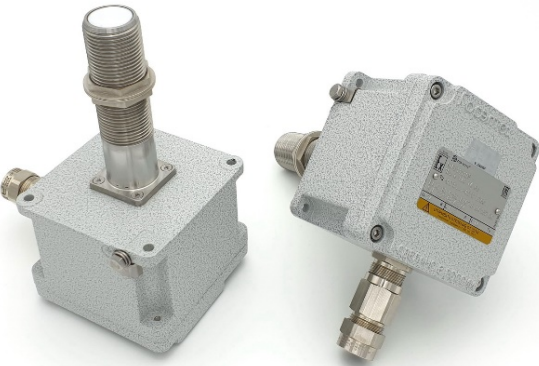
2024.07.08
(v.5.3)


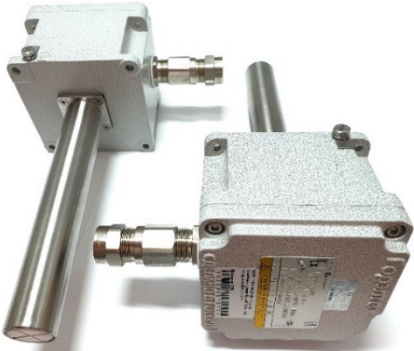
Manufacturer: Design Bureau Fizelektronpribor, Ltd
 P.O. Box 261, 141 Galaktionovskaya str., Samara 443010, Russia. Tel. +7(846)925-63-53, +7(846)359-17-01, +7-927-778-79-34. E-mail: info@fizepr.ru
 INN: 6315522386 KPP: 631501001
 SETTLEMENT ACC.: 40702810954390101485 WITH POVOLZHISKY BRANCH OF SBERBANK OF RUSSIA OJSC, SAMARA.
 CORR. ACC.: 30101810200000000607. BIC: 043601607. SWIFT CODE: SABRRUMSE1

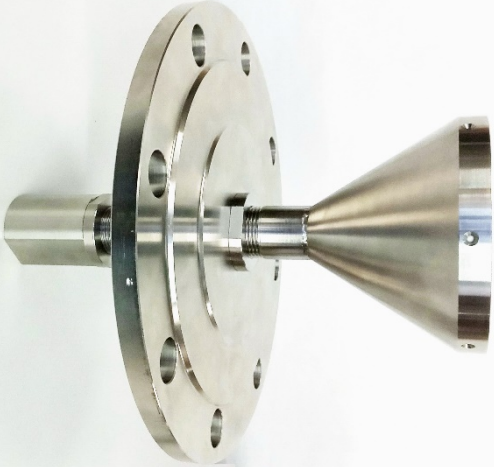

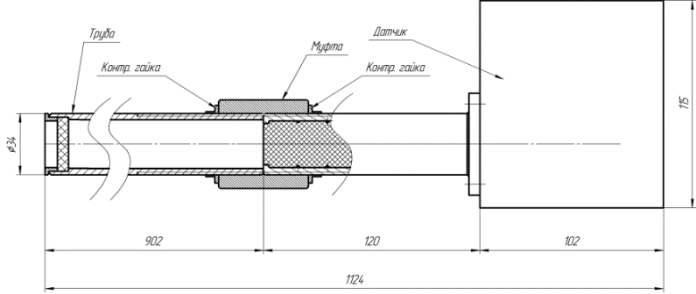
To select the optimal version of the microwave level indicator, you need to fill out a questionnaire.

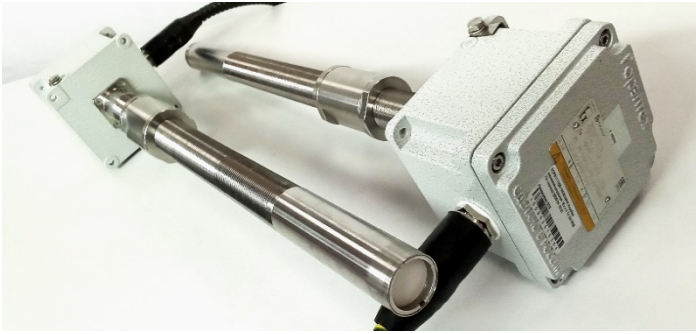

The questionnaire form is posted on the website: <https://fizepr.com/microwave-level-alarm/quote>

Item No.	Description, design version	Purpose, application features	Sensor design	Price in US dollars
1	Microwave barrier for level SIUR-03V2.4	High-level limit control when filling silos, hoppers with bulk materials. Allowable temperature of barrier unit housings: -25...+85°C.	 <p>The signaling device consists of two blocks TM and RM installed on the walls of the bunker. The blocks are fastened to antennas (emitters) with cylindrical pipe thread 1" (G1). Emitters are made of 120mm long steel AISI 321. Cases of blocks are tight, IP65. Cables are connected to the units through cable glands BK-M16-8-MP12 (for cables with an outer diameter of 4 - 8 mm).</p>	1018
2	Microwave barrier for level SIUR-03V2.41	-45...+85°C		1062

3	Microwave flow alarm SIUR-03V2.8	Control of bunker filling, transfer chutes (control of material movement). Simultaneous control of the filling level is possible when installing the PMR receiver unit on the opposite wall of the bunker. Allowable temperature of the alarm unit housing: -25...+85°C		The flow alarm contains a PDR unit - a transmitter with a receiver of the reflected signal. The unit is installed on the wall of the bin. The unit is attached to the antenna (emitter) with a 1-inch round pipe thread (G1). The emitter is made 120 mm long from 12X18N10T steel. The unit body is sealed, IP65. The cable is supplied to the unit through a VK-M16-8-MP12 cable gland (sub-cable with an external	851 or 1362 complete with PMR block
4	Microwave flow alarm SIUR-03V2.81	-45...+85°C	diameter of 4 - 8 mm). The delivery set may include a PMR unit that provides reception of a microwave probe signal that has passed through the controlled area. In this case, in addition to monitoring the movement of the material, the alarm will constantly monitor the filling level (similar to the operation of the SIUR-03V2.4), which increases the reliability of determining the moment of filling.		892 or 1413 complete with PMR block
5	Microwave barrier for level SIUR-03V2.5	High-level limit control when filling silos, hoppers with bulk materials. Allowable temperature of barrier unit housings: -25...+85°C		The signaling device consists of two blocks TM and RM installed on the walls of the bunker. The blocks are fastened to radiators with G1 thread or using holes in the block bodies. Emitters are made of 120mm long steel AISI 321. Cases of blocks tight, IP66. Cables are connected to the blocks through KOB1M-type cable glands (under an armored cable with an	1086
6	Microwave barrier for level SIUR-03V2.51	-45...+85°C		outer diameter of 9-17 mm).	1130

7	Microwave barrier for level SIUR-03V2.5M (with an additional synchronization unit)	High-level limit control when filling silos, hoppers with bulk materials. Allowable temperature of barrier unit housings: -25...+85°C.	 <p>The alarm consists of two TM and RM blocks mounted on the walls of the hopper, and an additional SU synchronization unit. The TM and RM blocks are attached to the radiators with a G1 thread or using holes in the block housings. The emitters are made of 120mm long steel AISI 321. The block housings are sealed, IP66. The cables are connected to the blocks through 1 M cable hermetic leads (under an armored cable with an external diameter of 9 -17mm). The alarm is characterized by increased sensitivity. The delivery package includes cables for connecting TM and RM blocks to the SU block.</p>	2144
8	Microwave barrier for level SIUR-03V2.51M (with an additional synchronization unit)	-45...+85°C		2189
9	Microwave barrier for level SIUR-03V2.6	High-level limit control when filling silos, hoppers with bulk materials. Allowable temperature of barrier unit housings: -25...+85°C.	 <p>The alarm consists of two TM and RM blocks mounted on the walls of the hopper. The blocks are attached to the emitters using collet clamps or using holes in the block housings. The block housings are sealed, IP66. The emitters are 200...300mm long, with a diameter of Ø34 mm, made of AISI 321 steel. The cables are connected to the blocks through 1 M cable hermetic leads (under an armored cable with an external diameter of 9 -17mm).</p>	1106
10	Microwave barrier for level SIUR-03V2.61	-45...+85°C		1151

11	A set of two horn antennas mounted on flanges	To narrow the radiation pattern of the emitters of the TM and RM blocks. Permissible antenna heating temperature up to +400°C		Horn antennas, flanges (DN 150, PN10), G1 couplings and G1 control nuts are made of AISI 321 steel. Horn antennas are connected to the signal emitters by means of a coupling (threaded fitting) with a cylindrical pipe thread 1" and are fixed with the help of edging (locking) nuts.	558
12	Set №1 of two probe tubes	To introduce a probing microwave signal into a high temperature area. To ensure measurements at temperatures up to +400°C.	 	A set of two probe tubes with a length of 700...900mm, made with a ceramic plug at the end. The pipes are connected to the signal emitters by means of a coupling (threaded fitting) with a cylindrical pipe thread 1" (G1), the pipe material is steel AISI 321.	170

13	Set №2 of two probe tubes	To introduce a probing microwave signal into a high temperature area. To ensure measurements at temperatures up to +400°C.	 <p>A set of two pipes - probes up to 900 mm long (the length of the probes is specified when ordering). The ends of the pipes are closed with ceramic plugs. The pipes are connected to the emitters of the alarm device by means of a coupling (threaded fitting) with a cylindrical pipe thread of 1" (G1), the pipe material is steel 12X18N10T. A special feature of this version: at the pipe inlet (on a section 250 mm long) there is a G1 thread, allowing the pipe to be fixed in the flange.</p> 	174
----	---------------------------	--	--	-----

NOTES

Specialists of Design Bureau Fizelektronpribor, Ltd will help you choose the best option for a microwave level alarm for your application based on the completed questionnaire.

The questionnaire form should be downloaded from the website: <https://fizepr.com/microwave-level-alarm/quote>

The questionnaire is not a technical specification for the manufacture of an alarm.

Questions about the selection of level alarms, about the terms of purchase, requests for purchase are accepted by e-mail: info@fizepr.ru and also by phone: +7 (846) 925-63-53, 359-17-01, +7-927-778-79-34.

This catalog is for informational and reference purposes. The information contained in this catalog is not a public offer.

This catalog does not contain the terms of a specific transaction. The terms of the transaction (name of the product, its price, quantity, configuration, delivery procedure, etc. individual conditions) are subject to written agreement in the contract between the supplier and the buyer.

Prices are indicated excluding the cost of delivery of devices to the customer and excluding customs clearance costs.

These costs usually amount to 10-15% of the product price and depend on the volume of the shipped batch of goods.